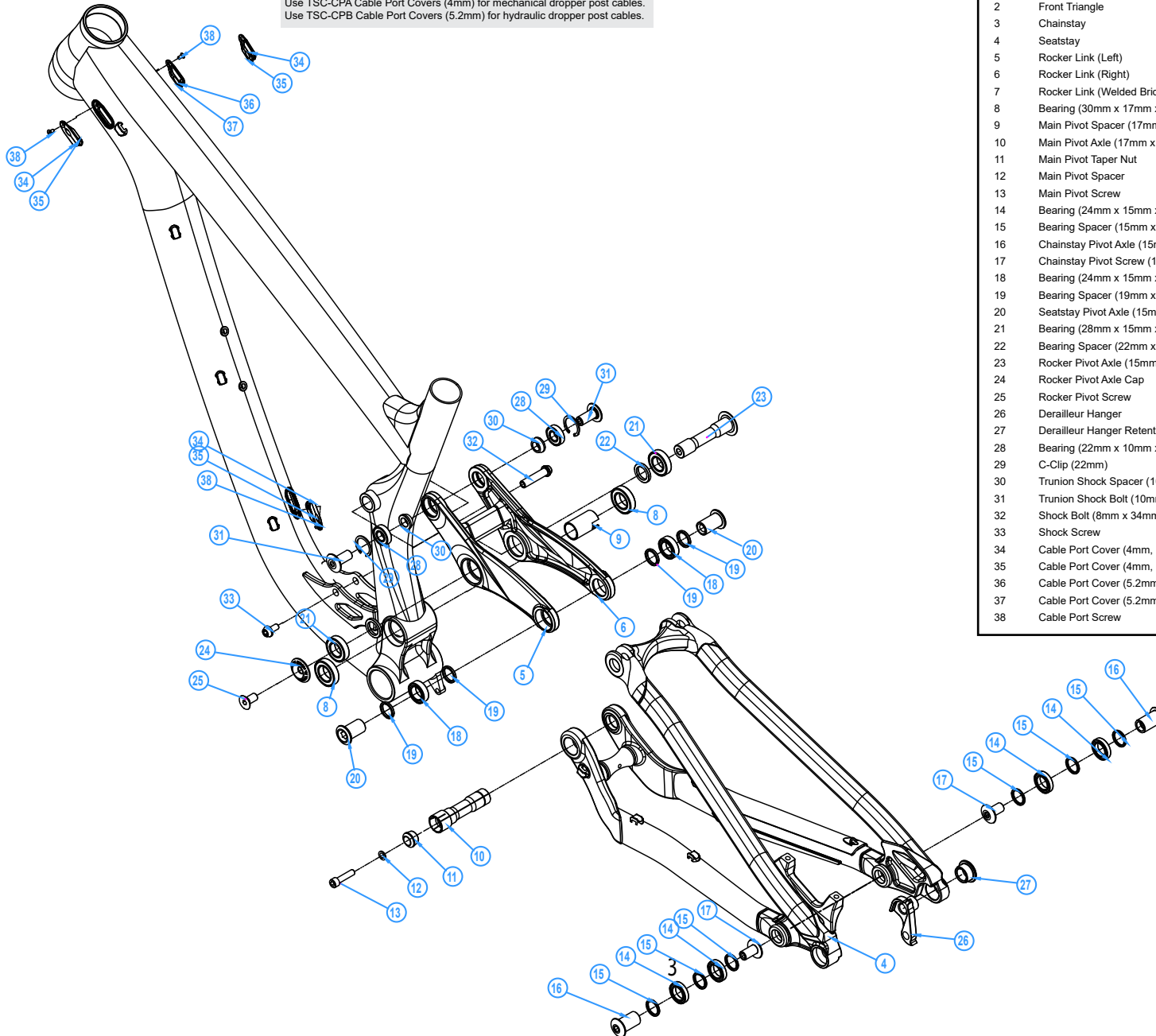


Use TSC-CPA Cable Port Covers (4mm) for mechanical dropper post cables.
 Use TSC-CPB Cable Port Covers (5.2mm) for hydraulic dropper post cables.



Item #	Description	Qty	Model Number	Torque Spec
1	Sentinel Alloy Frame	1	TS29A	-
2	Front Triangle	1	TS29A-FT	-
3	Chainstay	1	TS29A-CS	-
4	Seatstay	1	TS29A-SS	-
5	Rocker Link (Left)	1	T29-LK-L	-
6	Rocker Link (Right)	1	T29-LK-R	-
7	Rocker Link (Welded Bridge)	1	TSFA-LBG_TS29A	-
8	Bearing (30mm x 17mm x 7mm)	2	6903-2RS	-
9	Main Pivot Spacer (17mm x 33mm)	1	TSC-BSP	-
10	Main Pivot Axle (17mm x 74mm)	1	TSC-MAX	19nm
11	Main Pivot Taper Nut	1	A6DA-CCP	-
12	Main Pivot Spacer	1	6x10x1T	-
13	Main Pivot Screw	1	M6x25L-P-S	10nm
14	Bearing (24mm x 15mm x 5mm)	4	6802-2RS	-
15	Bearing Spacer (15mm x 19mm x 2mm)	6	ASEE-LWS	-
16	Chainstay Pivot Axle (15mm x 26mm)	2	ASEE-SAX-26L	-
17	Chainstay Pivot Screw (12mm x 18mm)	2	ASEE-SNT	10nm
18	Bearing (24mm x 15mm x 7mm)	2	3802-2RS	-
19	Bearing Spacer (19mm x 15mm x 2.5mm)	4	TSFA-LWS	-
20	Seatstay Pivot Axle (15mm x 22.5mm)	2	TSFA-SAX	19nm
21	Bearing (28mm x 15mm x 7mm)	2	6902-2RS	-
22	Bearing Spacer (22mm x 15mm x 3mm)	2	TEDC-BWS	-
23	Rocker Pivot Axle (15mm x 76mm)	1	TSFA-LAX-1	-
24	Rocker Pivot Axle Cap	1	TSFA-LNT-1	-
25	Rocker Pivot Screw	1	M8-16L-M	10nm
26	Derailleur Hanger	1	TSFA-HG	-
27	Derailleur Hanger Retention Bolt	1	C7A-ANT-1	19nm
28	Bearing (22mm x 10mm x 6mm)	2	6900-2RS	-
29	C-Clip (22mm)	2	IRTW-22	-
30	Trunion Shock Spacer (10mm x 6mm)	2	TSC-SWS	-
31	Trunion Shock Bolt (10mm x 21mm)	2	TSC-TRB	15nm
32	Shock Bolt (8mm x 34mm)	1	TCVC-BT-34L-S	10nm
33	Shock Screw	1	TCVC-M6-S	-
34	Cable Port Cover (4mm, Left)	3	TSC-CPA-L (4.0)	-
35	Cable Port Cover (4mm, Right)	3	TSC-CPA-R (4.0)	-
36	Cable Port Cover (5.2mm, Left)	1	TSC-CPB-L (5.2)	-
37	Cable Port Cover (5.2mm, Right)	1	TSC-CPB-R (5.2)	-
38	Cable Port Screw	3	M3x6L-M-S	1nm